

CARGUE EL PRODUCTO 12 HORAS ANTES DE ENCENDER POR PRIMERA VEZ. DEBE INSTALAR LA PLACA HACIA EL SUR.



User's Manual

Solar lighti:Solar Power type/20W/30W/50W

Thanks for your purchasing of Bosun product — integrated solar street light.
Please read this user manual for installation carefully before get it installed, so that you can avoid so me problems because of incorrect operating or installing ways.

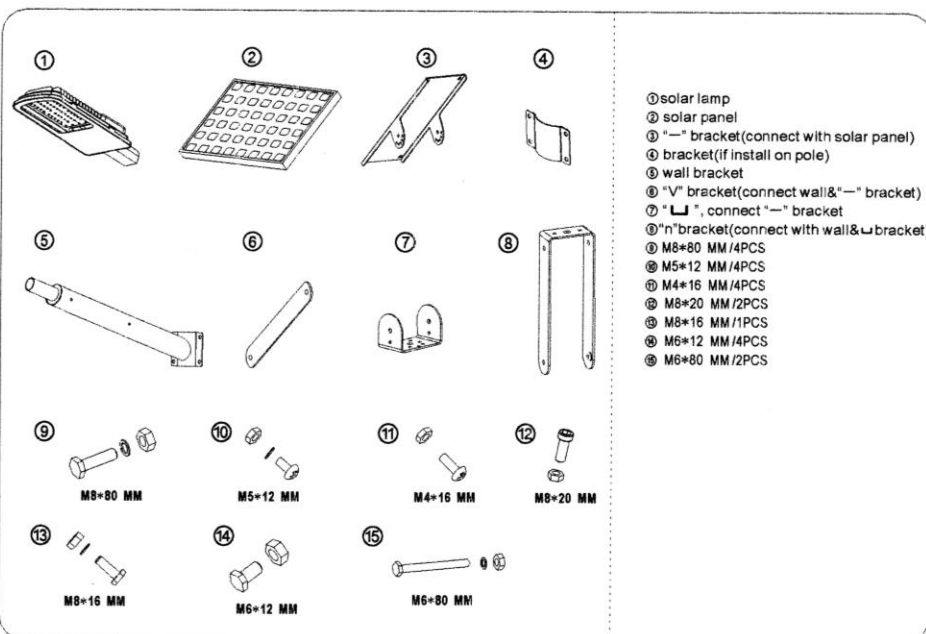
Safety Precautions:

Please mind cautions as below

- 1.This product is mostly meant for outdoor usage
- 2.Make sure every parts are screwed well on the application place
- 3.The product installation and maintenance must be done by professionals only.
- 4.To avoid damage to the product, especially the glass, please handle in care.
- 5.Before cleaning the street light, please switch off the power and use dry cloth to clean but do not use any chemical or corrosive materials

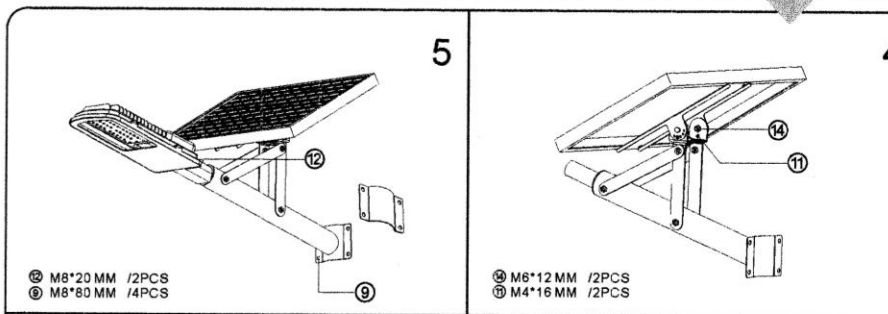
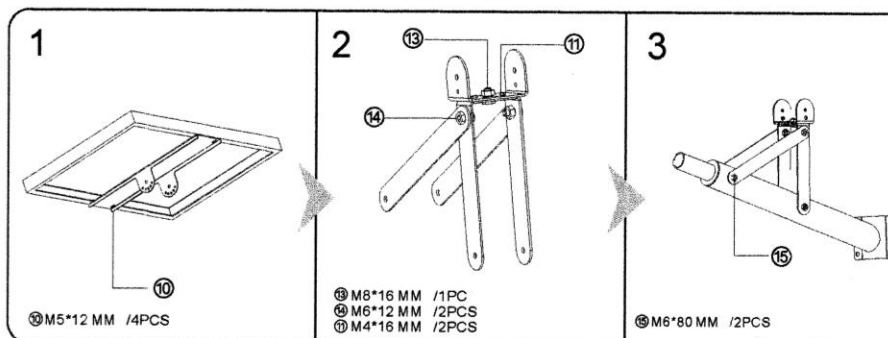
Content:

Firstly, please check if every parts are completed, if any missed then please contact at your convenient time



Construction Process:

Please get the solar street lamp installed with all parts provided



1. Fix the "—" bracket on solar panel with screws
2. Assemble the "V" bracket with "L" bracket together
3. Fixed the assembled "v" bracket on the wall bracket with screws
4. Fixed the solar panel on the wall bracket
5. connect the lamp on the wall bracket and connect wire with solar panel

Specification:

Lighting Specification

Input Coltage	Solar Panel	Battery type	Product Type
DC12V	Polysilicon	Lithium	Outdoor Lighting
Lumens	Bram angle	Optional Color	Color Index
100lm /w (±5%)	120D	6000K	≥ 70

Warranty:

1 years warranty

If any problems occurred please contact us in time and provide more details about it, then we'll provide solutions as soon as possible aft